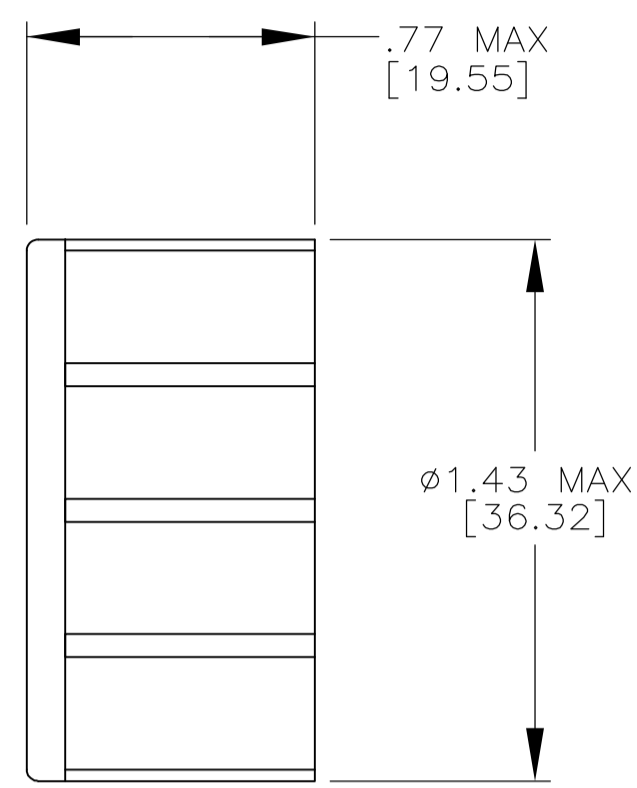
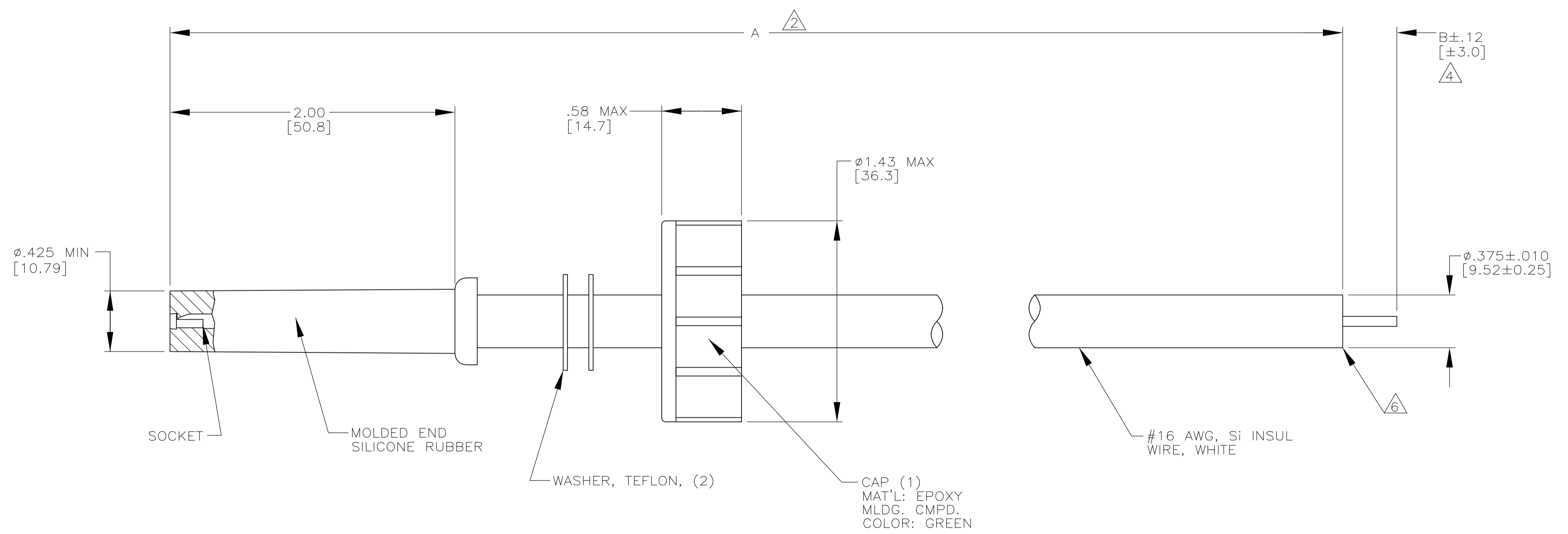


| LOC | DIST | REVISIONS | | | | | |
|-----|------|-----------|---------|---------------|-------|-----|------|
| | | REV | PER | DESCRIPTION | DATE | DWN | APVD |
| DF | SO | V | REV PER | ECO-05-002357 | 08-05 | AA | DE |

| PART NO. | A | B | REMARKS |
|------------|-------------------|-----------|---------|
| 846290-1 | 12.00 [304.8] | .38 [9.7] | △ |
| 846290-2 | 16.00 [406.4] | .38 [9.7] | △ |
| 846290-3 | 24.00 [609.6] | .38 [9.7] | △ |
| 846290-4 | 48.00 [1219.2] | .38 [9.7] | △ |
| 846290-5 | 39.00 [990.6] | .38 [9.7] | △ |
| 846290-6 | 36.00 [914.4] | .38 [9.7] | △ |
| 846290-7 | 15.75 [400.0] | - | △ |
| 846290-8 | 72.00 [1828.8] | .38 [9.7] | △ |
| 846290-9 | 60.00 [1524.0] | .38 [9.7] | △ |
| 1-846290-0 | 84.00 [2133.6] | .38 [9.7] | △ |
| 1-846290-1 | 96.00 [2438.4] | .38 [9.7] | △ |
| 1-846290-2 | 56.00 [1422.4] | .38 [9.7] | △ |
| 1-846290-3 | 600.00 [15240.0] | .38 [9.7] | △ |
| 1-846290-4 | 20.00 [508.0] | .38 [9.7] | △ |
| 1-846290-5 | 30.00 [762.0] | .38 [9.7] | △ |
| 1-846290-6 | 18.00 [457.2] | .38 [9.7] | △ |
| 1-846290-7 | 6.00 [152.4] | .38 [9.7] | △ |
| 1-846290-8 | 7.00 [177.8] | .38 [9.7] | △ |
| 1-846290-9 | 8.50 [215.9] | .38 [9.7] | △ |
| 2-846290-0 | 16.50 [419.1] | .38 [9.7] | △ |
| 2-846290-1 | 9.00 [228.6] | .38 [9.7] | △ |
| 2-846290-2 | 10.00 [254.0] | .38 [9.7] | △ |
| 2-846290-3 | 21.00 [533.4] | .38 [9.7] | △ |
| 2-846290-4 | 32.00 [812.8] | .38 [9.7] | △ |
| 2-846290-5 | 28.00 [711.2] | .38 [9.7] | △ |
| 2-846290-6 | 82.00 [2082.8] | .38 [9.7] | △ |
| 2-846290-7 | 76.00 [1930.4] | .38 [9.7] | △ |
| 2-846290-8 | 120.00 [3048.0] | .38 [9.7] | △ |
| 2-846290-9 | 54.00 [1371.6] | .38 [9.7] | △ |
| 3-846290-0 | 78.75 [2000.2] | .38 [9.7] | △ |
| 3-846290-1 | 32.50 [825.5] | .38 [9.7] | △ |
| 3-846290-2 | 394.00 [10007.6] | .38 [9.7] | △ |
| 3-846290-3 | 50.00 [1270.0] | .38 [9.7] | △ |
| 3-846290-4 | 787.00 [19989.8] | .38 [9.7] | △ |
| 3-846290-5 | 39.38 [1000.3] | .38 [9.7] | △ |
| 3-846290-6 | 27.00 [685.8] | .38 [9.7] | △ |
| 3-846290-7 | 198.00 [5029.2] | .38 [9.7] | △ |
| 3-846290-8 | 32.00 [812.8] | .38 [9.7] | △ |
| 3-936566-9 | 40.00 [1016.0] | .38 [9.7] | △ |
| 4-846290-0 | 315.00 [8001.0] | .38 [9.7] | △ |
| 4-846290-1 | 1181.00 [29997.4] | .38 [9.7] | △ |
| 4-846290-2 | 65.00 [1651.0] | .38 [9.7] | △ |
| 4-846290-3 | 87.00 [2209.8] | .38 [9.7] | △ |
| 4-846290-4 | 48.00 [1219.2] | .38 [9.7] | △ |
| 5-846290-1 | 12.00 [304.8] | .38 [9.7] | △ |
| 5-846290-3 | 24.00 [609.6] | .38 [9.7] | △ |
| 5-846290-4 | 48.00 [1219.2] | .38 [9.7] | △ |
| 5-846290-6 | 36.00 [914.4] | .38 [9.7] | △ |
| 5-846290-7 | 15.75 [400.0] | - | △ |
| 6-846290-2 | 56.00 [1422.4] | .38 [9.7] | △ |
| 6-846290-4 | 20.00 [508.0] | .38 [9.7] | △ |
| 6-846290-5 | 30.00 [762.0] | .38 [9.7] | △ |
| 6-846290-6 | 18.00 [457.2] | .38 [9.7] | △ |
| 7-846290-0 | 16.50 [419.1] | .38 [9.7] | △ |
| 7-846290-6 | 82.00 [2082.8] | .38 [9.7] | △ |
| 7-846290-8 | 120.00 [3048.0] | .38 [9.7] | △ |
| 8-846290-7 | 198.00 [5029.2] | .38 [9.7] | △ |
| 9-846290-0 | 315.00 [8001.0] | .38 [9.7] | △ |
| 9-846290-1 | 1181.00 [29997.4] | .38 [9.7] | △ |
| 9-846290-4 | 48.00 [1219.2] | .38 [9.7] | △ |



4-846290-2 & 4-846290-4 ONLY



1. MARKED PER MIL-STD-130.
- △ TOLERANCE OF LEAD LENGTH:
UP TO 24 INCHES [609.6] = ±.12 [3.0]
24 INCHES [609.6] & UP = 1%
3. OPERATING VOLTAGE: 50 KVDC AT 0 TO 70,000 FEET, -55°C TO 125°C.
- △ WHERE APPLICABLE "B" LENGTH IS SOLDER DIPPED.
5. TO MATE WITH WITH AMP LGH-4 RECEPTACLE WITH 2.00 [50.80] BARREL DEPTH.
- △ INSULATION CUT, BUT NOT REMOVED.

| | | | | |
|--|--|----------------------------|----------------------|---|
| THIS DRAWING IS A CONTROLLED DOCUMENT. | | DIN C.C.THOMAS 11-DEC-89 | | Tyco Electronics Corporation Harrisburg, Pa 17105-3608 |
| DIMENSIONS: INCHES [mm] | | CHK S.SLATFELTER 19-DEC-89 | | APVD G.SCHEFFER 19-DEC-89 |
| TOLERANCES UNLESS OTHERWISE SPECIFIED: | | 0 PLC ± - | APPLICATION SPEC | RESTRICTED TO |
| | | 1 PLC ± .02 [0.5] | SIZE A1 | CAGE CODE 00779 |
| MATERIAL SEE CALLOUTS | | 2 PLC ± .02 [0.5] | DRAWING NO. C=846290 | SCALE 2:1 |
| | | 3 PLC ± - | WEIGHT - | SHEET 1 OF 1 |
| | | 4 PLC ± - | CUSTOMER DRAWING | REV V |
| | | ANGLES ± - | | |
| | | FINISH - | | |